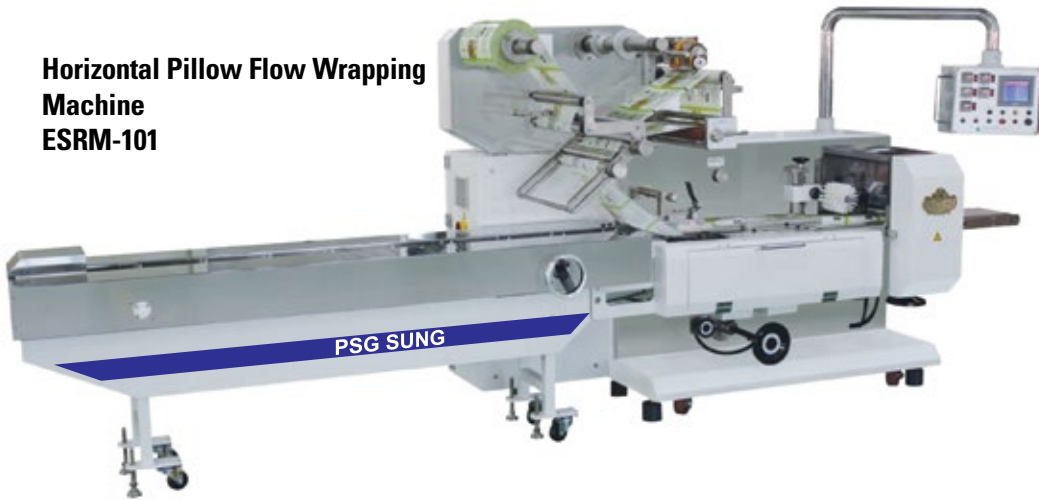


**Horizontal Pillow Flow Wrapping Machine**  
**ESRM-101**



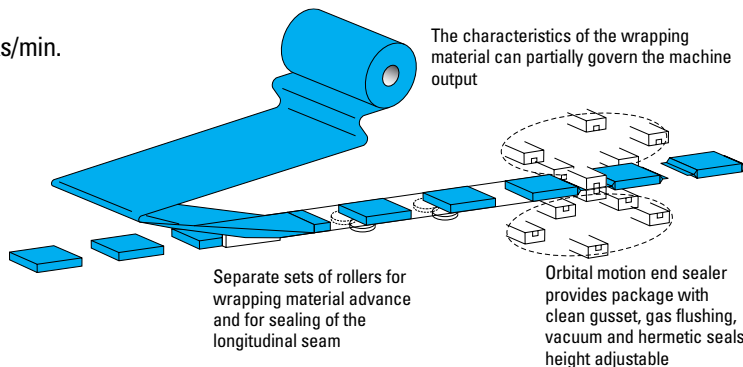
**CAPACITY:** Max. 180 packs/min.

**POWER**

Source: 220 V, 3 Ph  
Consumption: 5 kW

**OPTIONS**

- Thermal coding
- Automatic feeding system
- Film auto splicer
- All stainless model
- Applicable to shrink wrapping
- Servo driven system
- M-type adhesive device



**SPECIFICATIONS**

- Rotary type capacity:  
Max. 250 cycles/min.\*
  - Box-motion type capacity:  
Max. 100 cycles/min.\*
  - Power voltage:  
220 V, 3 Ph
  - Power consumption:  
5 kW
- \*depending on product*

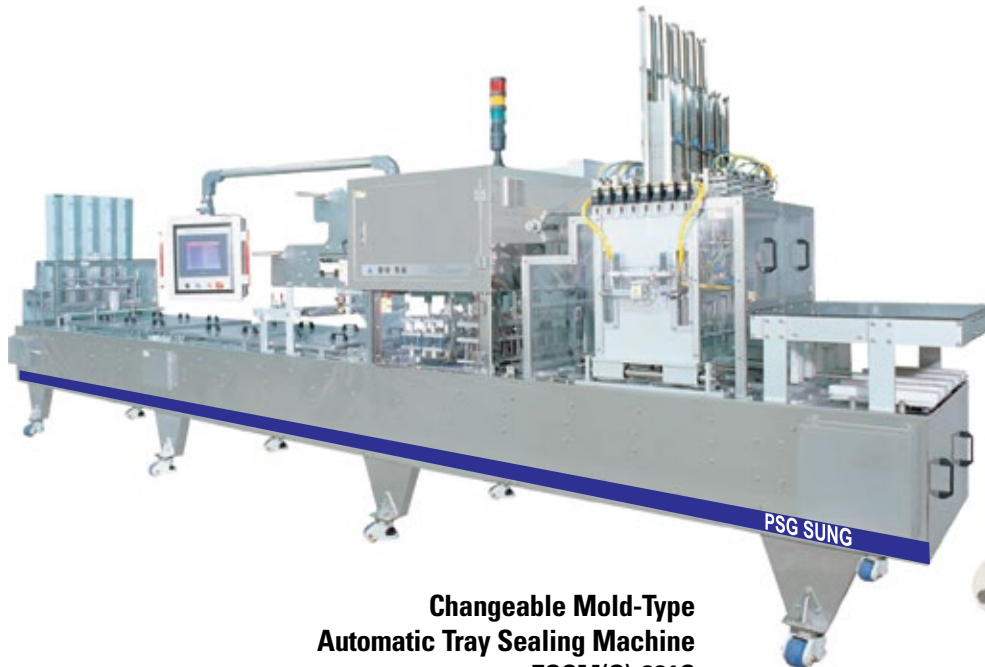
**OPTIONS**

- Date printer
- Shrink packing
- Servo motor system
- Automatic film splicer
- Gusset packing device
- Automatic feeding system
- Stainless steel throughout machine

**APPLICABLE PRODUCTS**

Biscuits, chocolates, breads, ice creams, frozen foods, lavers, sponges, soaps, wet tissues, plastic tube products, condoms, medical products, etc.

**Intermittent Automatic Tray Sealing Machine  
ESCS-201**



**Changeable Mold-Type  
Automatic Tray Sealing Machine  
ESCM(S)-201C**



**ESH-301  
Duplex  
Automatic  
Tub Sealing Machine**